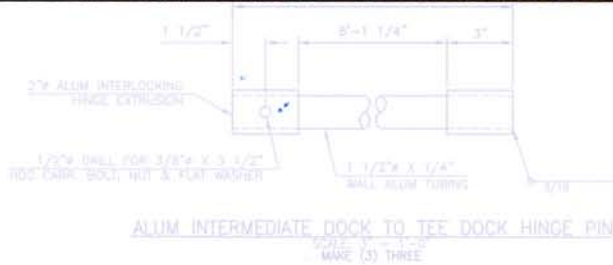




HALLSTEN
CORPORATION
 INDUSTRIAL • MARINE • ENVIRONMENTAL



We offer **MARINE SOLUTIONS**

NOTE:

- 1) TOP OF ALUMINUM DECKING IS RUBBED AND SANDBLASTED TO A COMMERCIAL FINISH FOR A NON-SKID SURFACE.
- 2) ALUMINUM BIRDS TO BE SANDBLASTED FOR A NON-SKID FINISH.

ALL STEEL PARTS TO BE HOT-DIP GALVANIZED

Aluminum Boat Docks

MUNICIPAL WATER DISTRICT

SYSTEM

8' X 20' TEE DOCK,
 SECTIONS &
 DETAILS



1-(800)-473-7440

Date: 12 MAY 05

Manager: R. KUHN

Drawn By: D. LERLY

Sheet No: 10488

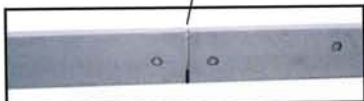
REVISIONS

ALUMINUM

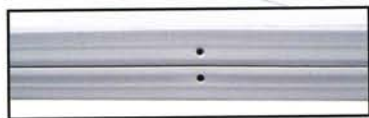
**Aluminum Decking
Ribbed & Sandblasted**

**Mooring Cleats Bolted
Through Dock Frame**

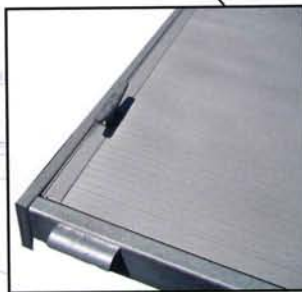
**Heavy Polyethylene
Tubes w/EPS Foam**



**Solid Polyethylene Fender/
Bumper w/no Wood Content**



**Optional Heavy Duty Vinyl
Interlocking Fender/Bumper**



**Galvanized Steel End Tube
w/Hinges, Bolted to Frame**



**Aluminum Frame
Tub Attaching Track**

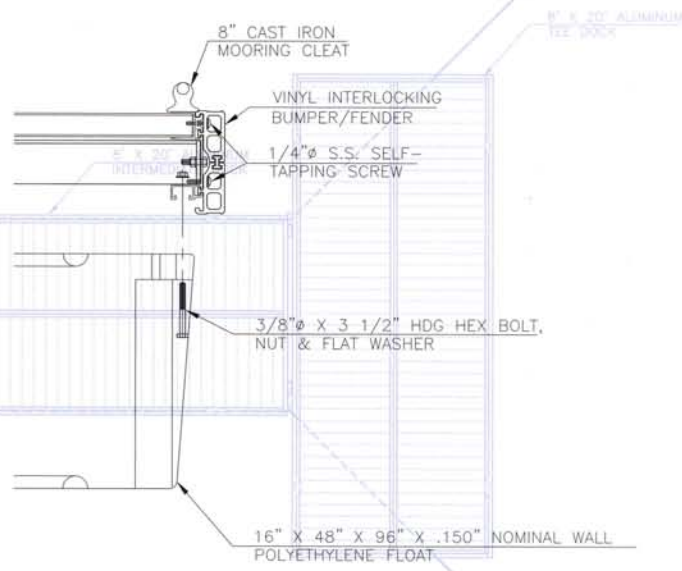
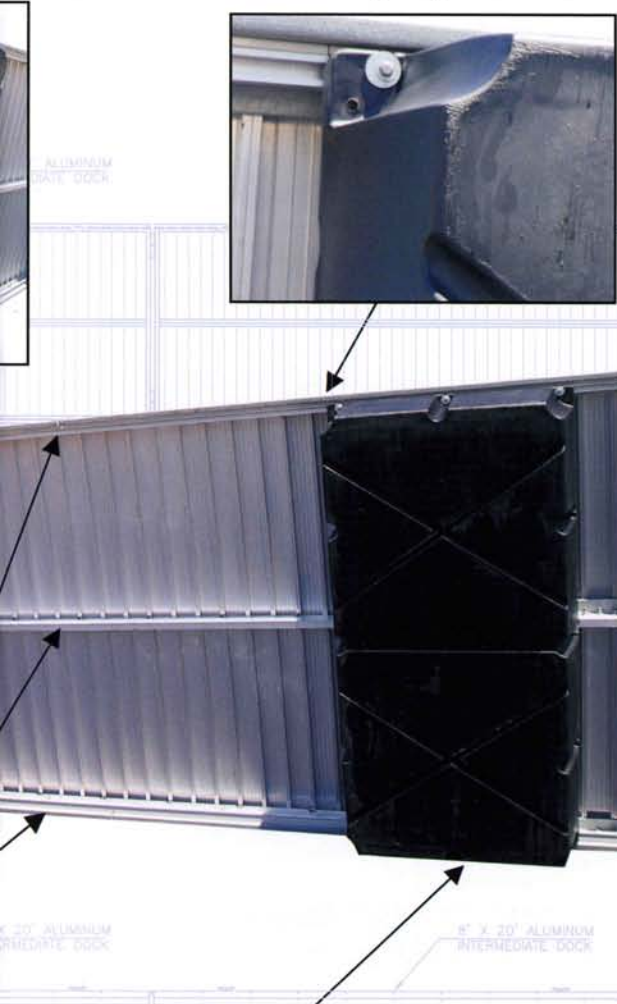
OVER 30 YEARS OF QUALITY, INTEGRITY AND INGENUITY

For over thirty years Hallsten Corporation has designed and fabricated metal structure for industry. Through this time Hallsten has developed specialized aluminum extrusions and assembly techniques that have resulted in numerous patents. Our unique aluminum extrusions, when combined with structural polymers and stainless components, represent a significant advance in versatility and quality of structures for Industrial, Marine and Environmental applications.

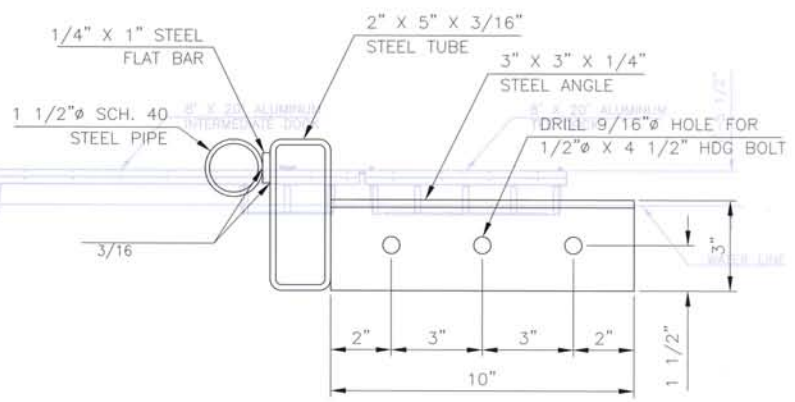
BOAT DOCKS

Flotation

Attachment Lugs Molded into Polyethylene Tubs



Size, Location & Quantity of Flotation Tubs as Determined by Live Load



HALLSTEN ALUMINUM BOAT DOCKS

- LONG LIFE - Aluminum assembled without welds.
- SAFETY - Decking is ribbed and sandblasted.
- VERSATILITY - Dock modules connected end to end or side to side for double width.

The most innovative and cost effective marina system.



HALLSTEN CORPORATION
INDUSTRIAL • MARINE • ENVIRONMENTAL